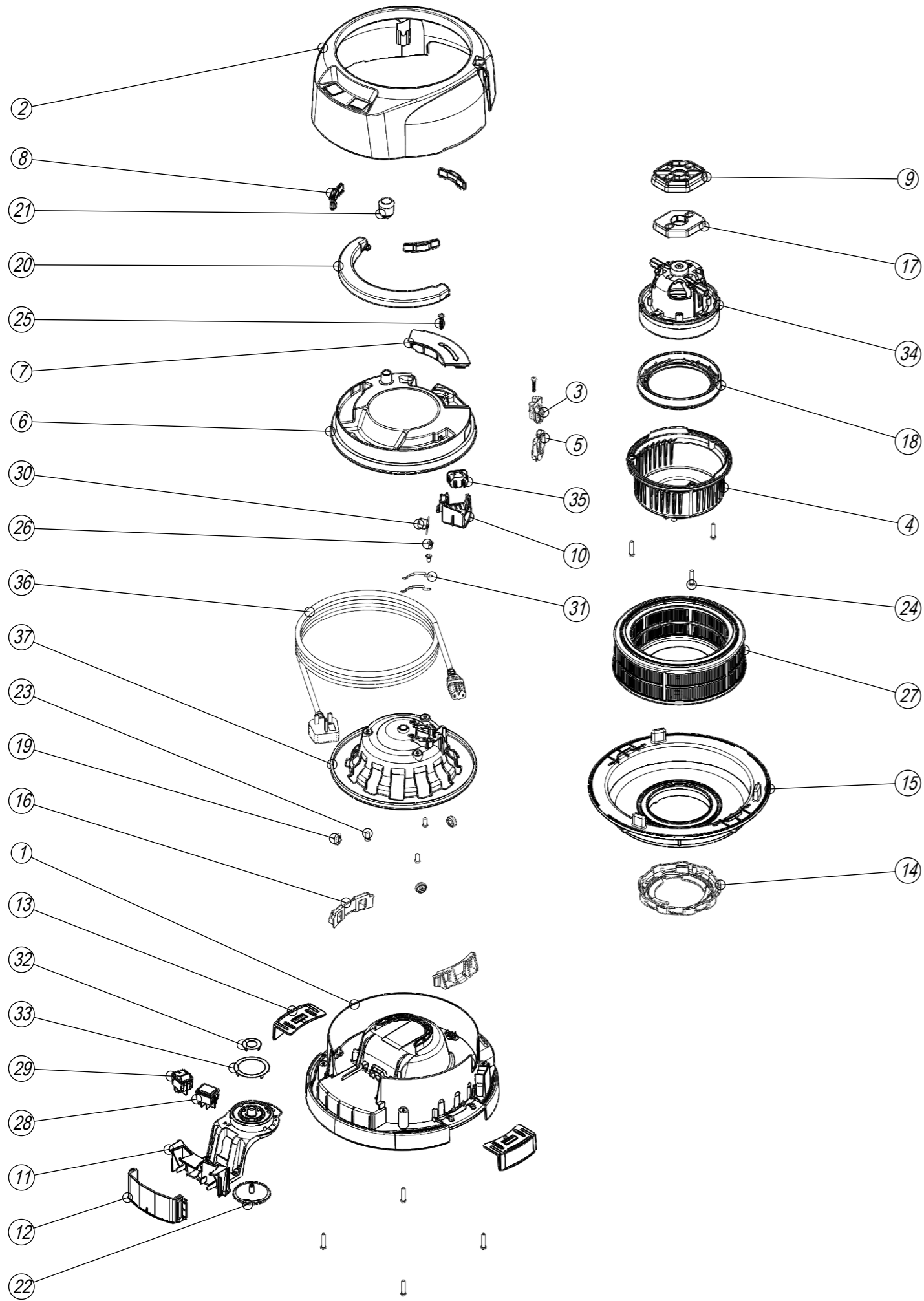


# Numatic International Spare Parts

Model No: HEAD STYLE 40 (WITH FILTER) - EXPLODED DRAWING

911616 08/01/2020  
DRAWING: DRW-31974  
ISS:A05



# Numatic International Spare Parts

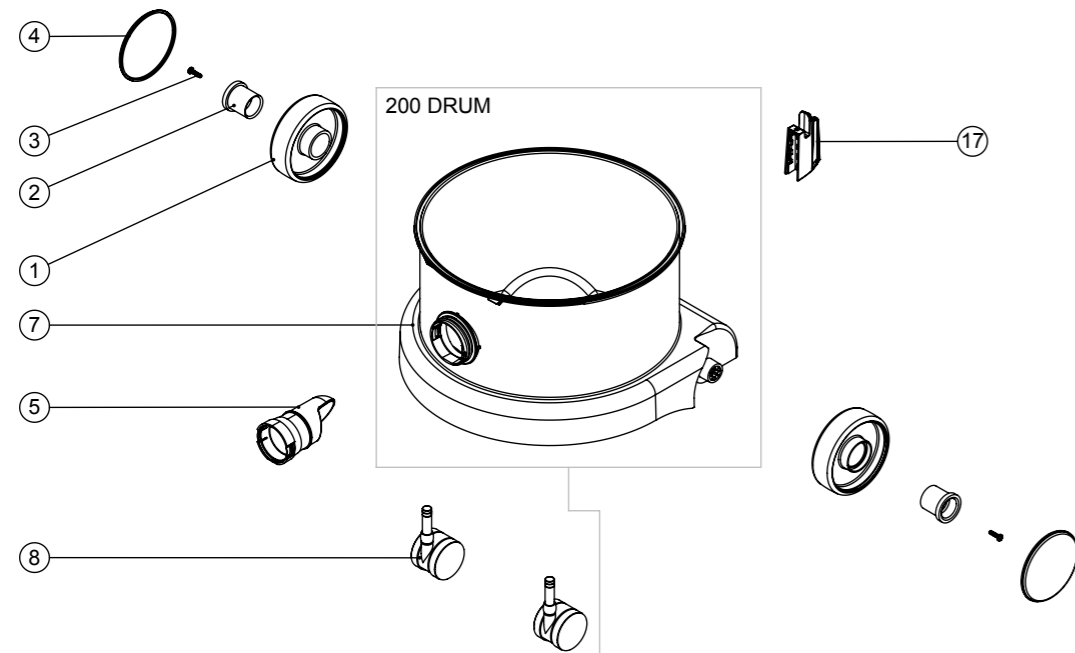
Model No: HEAD STYLE 40 (WITH FILTER) - EXPLODED DRAWING

POS:	PART No:	Description	QTY.	Note
1	911477	MOTOR-HOUSING-FRONT-SWITCH	1	
2	911229	PLUGGED-REELER-COVER	1	
3	911478	PLUGGED CABLE ENTRY UPPER	1	
4	911472	MOTOR-POD-FRONT-SWITCH	1	
5	911230	PLUGGED CABLE ENTRY LOWER	1	
6	911233	PLUGGED-REELER-UPPER	1	
	911492	PLUGGED-REELER-UPPER (FR)	1	V45/V69/V71 MODELS ONLY
7	911232	REELER PLUG ACCESS PANEL	1	
	911494	REELER PLUG ACCESS PANEL (FR)	1	V45/V69/V71 MODELS ONLY
8	911234	PLUGGED-REELER-SPACER	3	
9	911547	SHORT STACK MOTOR ADAPTOR (ALLERGY)	1	NOT REQUIRED FOR V45/V69/V71 MODELS
10	911235	REELER SOCKET SADDLE	1	
11	901589	MODULE-ELECTRICAL	1	
12	901591	COVER-MODULE-ELECTRICAL	1	
13	907051	SLIDING TOGGLE	2	
14	907004	LOCK-RING	1	
15	906998	POST MOTOR FILTER HOUSING	1	
16	907068	TOGGLE LOCKING LATCH	2	
17	907002	MOTOR-TOP-MOUNT	1	
18	907003	MOTOR-GASKET	1	
19	901009	ROLLER WHEEL	3	
20	227120	HANDLE - HVR/HET/NRV	1	
21	229617	CABLE REEL WINDER KNOB ASSY	1	
22	901590	INSULATOR (FR)	1	
23	291152	NO8. 1/2 INCH LG. T20. SCREW. Z/PL. PLASTITE	3	
24	291082	#8 SCREW 1" L T20 PAN HEAD P/L THREAD FORMING	7	
25	291117	NO. 8 x 1 INCH (4.5MM CAPTIVE) POZI-PAN SCREW / PLASTITE / BLACKODISED	2	
26	291151	M4 X 10MM LONG T20 SEMS SCREW Z/PL - PRODUCT CODE 8.8 - TX20 HEAD	2	
27	907044	POST MOTOR FILTER H13	1	
28	208885	NEON INDICATOR (EVEREL, B71121G000000)	1	
29	230253	EVEREL ROCKER SWITCH	1	
30	230096	SUPPRESSOR CAPACITOR ASSEMBLY WITH DISCHARGE RESISTOR (AS SUPPLIED)	1	
31	902525	REELER CONTACT SPRING	2	
32	227141	INNER CONTACT RING	1	
33	227142	OUTER CONTACT RING	1	
34	205840	230V SINGLE STAGE TF 620W MOTOR (DLI 653T)	1	
35	230204	NUC18S INLET - VOLEX	1	
36	236044	CABLE 10MX1.00MM C/W PLUG HVR	1	
37	911259	PLUGGED-REELER-LOWER (PUSH FIT CONTACTS) WITH INSERTS	1	
	911497	PLUGGED-REELER-LOWER (PUSH FIT CONTACTS) (FR) WITH INSERTS	1	V45/V69/V71 MODELS ONLY

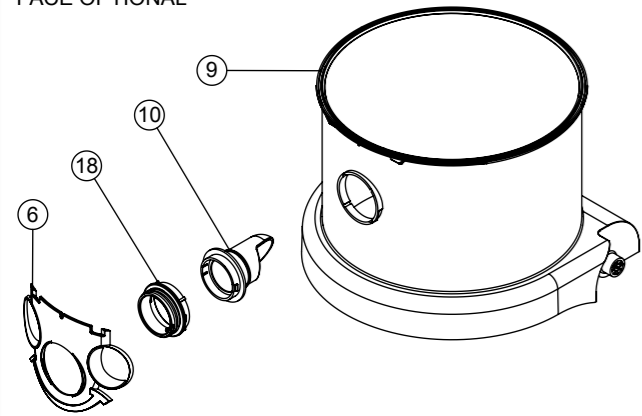
# Numatic International Spare Parts

Model No: DRUM STYLE 2 - 200/370 SKIRTED

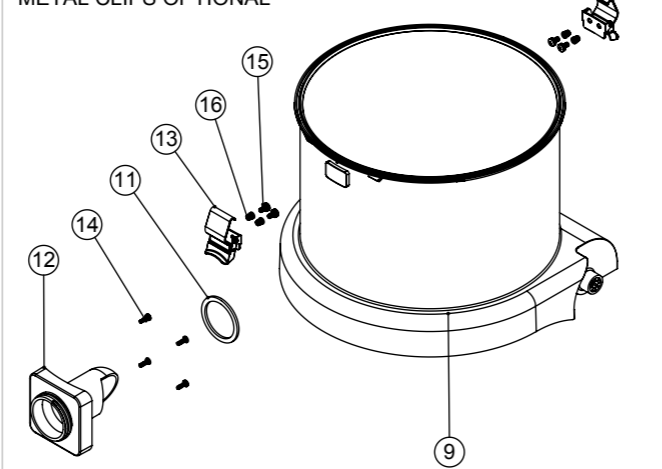
NA  
DRAWING: DRW-18694 ISS:A01  
23/12/2014



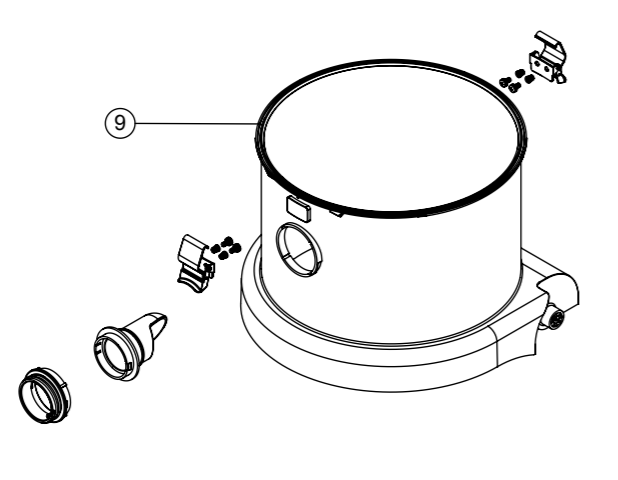
370 DRUM - DRY/WET HOSE CONNECTOR  
FACE OPTIONAL



370 DRUM - DRY HOSE CONNECTOR  
METAL CLIPS OPTIONAL



370 DRUM - DRY/WET HOSE CONNECTOR  
METAL CLIPS OPTIONAL



# Numatic International Spare Parts

Model No: DRUM STYLE 2 - 200/370 SKIRTED

ITEM:	PART No:	Description	QTY.	COMMENTS:
1	227640	2 SHOT WHEEL ASSEMBLY	2	
2	227868	WHEEL HUB FOR 2 SHOT WHEEL	2	
3	219105	No8 X 5/8 INCH LONG POZI PAN PLASTITE SCREW	2	
4	-	WHEEL TRIM	2	CONTACT NUMATIC FOR DETAILS
5	237119	FRONT FIT BAG CONNECTOR	1	
6	-	PARALLEL SNAP FIT FACE PRINTED	1	CONTACT NUMATIC FOR DETAILS
7	-	200 DRUM	1	CONTACT NUMATIC FOR DETAILS
8	204067	50MM BLACK TWIN CASTOR	2	
9	-	NVQ 370 DRUM	1	CONTACT NUMATIC FOR DETAILS
10	227363	BAG CONNECTOR	1	
11	202027	HOSE FLANGE GASKET	1	
12	206024	DRY HOSE CONNECTOR FLANGE	1	
13	206038	TOGGLE	1	
14	219101	No8 X 1/2 INCH LONG POZI PAN PLASTITE SCREW	1	
15	219047	M5 X 10MM LONG POZI PAN SEMS SCREW	1	
16	219477	TAPPEX INSERT	1	
17	237578	Wand Dock (Eco)	1	
18	227395	BLACK THREADED NECK	1	