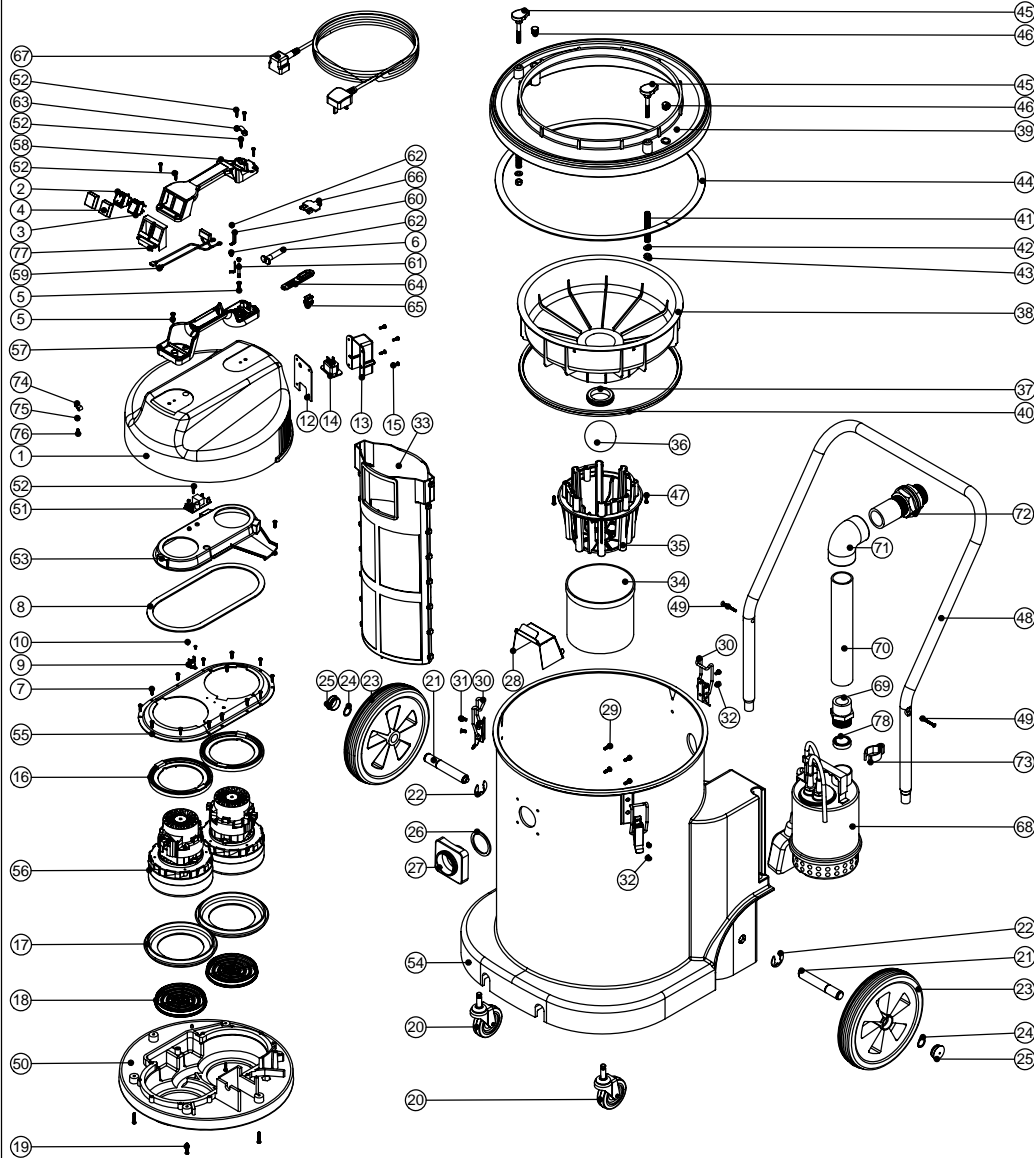


# Numatic International Spare Parts

## Model No: WVD1800AP-2 EXPLODED DRAWING

234297  
DRAWING: EXP-0728 ISS:A06  
26/06/2008



# Numatic International Spare Parts

## Model No: WVD1800AP-2 EXPLODED DRAWING

POS.	ITEM NO.	DESCRIPTION:	COMMENTS:
1	301082	PROCESSED HEAD TOP	
2	220843	BLUE ROCKER SWITCH	
3	220582	GREEN ROCKER SWITCH	
4	220238	SWITCH BOOT	
5	219546	M5 X 20MM LONG POZI PAN SEMS SCREW	
6	220132	STRESS RELIEF SLEEVE	
7	219370	N08 X 5/8 INCH LONG PLASTITE STAINLESS STEEL SCREW	
8	202012	GASKET	
9	220532	THERMOSTAT	
10	219491	M5 X 3MM LONG POZI PAN TAPTITE SCREW	
11	219471	M4 X 12MM LONG POZI PAN SEMS SCREW	
12	202082	SOCKET COVER GASKET	
13	206511	SOCKET COVER	
14	229018	POWER TAKE OFF SOCKET	
15	219569	N08 X 1/2 INCH LONG POZI PAN STAINLESS STEEL PLASTITE SCREW	
16	227925	TOP MOTOR GASKET	
17	202005	MOTOR BOTTOM GASKET	
18	206010	FAN GUARD	
19	219369	N08 X 1 INCH LONG POZI PAN STAINLESS STEEL PLASTITE SCREW	
20	204060	3 INCH CASTOR	
21	206452	STUB AXLE	
22	219306	E-CLIP	
23	204028	10 INCH WHEEL	
24	219308	CIRCLIP	
25	206131	BLACK PLASTIC CAP	
26	202027	HOSE FLANGE GASKET	
27	214001	DIE CAST FLANGE	
28	303482	WATER DEFLECTOR	
29	219045	M5 X 16MM LONG POZI PAN SEMS SCREW	
30	206135	TOGGLE FASTENER	
31	219047	M5 X 10MM LONG POZI PAN SEMS SCREW	
32	219330	M5 X 12MM LONG POZI PAN COUNTRSUNK SCREW	
33	207110	FILTER ASSEMBLY	
34	207073	GAUZE FILTER	
35	225130	MOULDED FLOAT CAGE	
36	206026	POLYPROP BALL	
37	220235	FLOAT GROMMET	
38	225101	FLOAT MOULDING	
39	226021	BOTTOM PLATE MOULDING	
40	202036	FLOAT MOULD EXTRUSION SEAL	
41	219418	COMPRESSION SPRING	
42	219010	M8 FORM A WASHER	
43	219078	M8 NYLON INSERT NUT	
44	212024	INSEAL	
45	206242	HOOKEED KNOB	
46	206243	RIBBED TUBE INSERT	
47	219568	N08 X 3/4 INCH LONG POZI PAN STAINLESS STEEL SCREW	
48	402100	BLACK HANDLE	
49	219316	N010 X 43MM LONG POZI PAN COUNTER SUNK PLASTITE SCREW	
50	301048	PROCESSED BOTTOM MOTOR HOUSING	
51	220555	230V DELAY START MODULE	
	220556	115V DELAY START MODULE	
52	219107	N06 X 5/8 INCH LONG POZI PAN PLASTITE SCREW	
53	227928	570 AIR SEPARATOR LAMB BYPASS MOTOR DUPLEX)	
54	300139	WV1800AP GREY PROCESSED DRUM	
	300140	WV1800AP RED PROCESSED DRUM	
	300141	WV1800AP BLUE PROCESSED DRUM	
	300142	WV1800AP GREEN PROCESSED DRUM	
	300143	WV1800AP YELLOW PROCESSED DRUM	
55	325526	TOP MOTOR HOUSING (DUPLEX)	
56	205411	240V 2 STAGE D.I BYPASS ACUSTEK MOTOR (BL21104)(MARKED 230V)	
	205410	220V 2 STAGE D.I BYPASS ACUSTEK MOTOR (BL21102)(MARKED 230V)	
	205409	120V 2 STAGE D.I BYPASS ACUSTEK MOTOR (BL21101)	
57	320835	HANDLE BASE MOULDING + INSERTS	
	227626	HANDLE COVER HARD WIRE 2 SWITCH	HARDWIRED VERSION
58	227622	HANDLE COVER (10 AMP / 3 PIN / 2 SWITCH)	
59	220142	SUPPRESSOR ASSEMBLY	
	220558	SUPPRESSOR ASSEMBLY	
60	206563	EARTH CONTACT PIN	
	206562	CONTACT PIN	
62	219090	M4 X 8MM LONG POZI PAN SEMS SCREW	
63	227564	PLUG LOCATION CLAMP	
64	227636	STRAIN RELIEF	
65	227637	CABLE CLIP	
66	227631	TERMINAL COVER & CLAMP (3 PIN)	
67	236010	10.0M X 1.00MM X 3 CORE NUCABLE (UK PLUG)	
	236124	10.0MT X 1MM X 3 CORE YELLOW CABLE (SOCKET + PLUG) EURO	
	236019	10.0M X 1.00MM X 3 CORE NUCABLE (SWISS PLUG)	
	236022	10.0M X 1.00MM X 3 CORE NUCABLE (SOUTH AFRICA PLUG)	
	236030	10.0M X 1.00MM X 3 CORE NUCABLE (AUSTRALIAN PLUG)	
	220911	12.5MT X 3CORE X 2.5MM CABLE PLUS 32AMP INDUSTRIAL PLUG	
	236063	10.0MT X 3CORE X 14AWG (YELLOW) S/TW 5-15P PLUG OSA	HARDWIRED VERSION
	225500	SUBMERSIBLE PUMP 230V/50HZ (EBARA MKII) (C/W FLOAT SWITCH / ONE METRE CABLE / NO PLUG)	HARDWIRED VERSION
	225501	SUBMERSIBLE PUMP 110V/60HZ (EBARA MKII) (C/W FLOAT SWITCH / ONE METRE CABLE / NO PLUG)	
	225502	SUBMERSIBLE PUMP 110V/60HZ (EBARA MKII) (C/W FLOAT SWITCH / ONE METRE CABLE / NO PLUG)	
69	320897	1 1/4 INCH HEXAGON NIPPLE (MODIFIED)	
70	391180	277MM LONG TUBE (EBARA MKII)	
71	206547	1 1/2 INCH ELBOW	
72	303547	1 1/2 TANK CONNECTOR MODIFICATION	
73	320898	HOSE CLIP (LESS RIB)	
74	226050	CABLE CLAMP (WHITE P CLIP)	
75	219688	M4 FORM A STAINLESS STEEL WASHER	
76	219301	N06 X 3/8 INCH LONG POZI PAN SELF TAP SCREW	
77	227629	SWITCH MOUNTING BRACKET	
78	206854	OUTLET RUBBER NON RETURN SEAL (EBARA PUMP)	